

Operation manual

Weather Protection Air Dome 850P



Version: 1.1 [2018-02-01] - en-us



Support@germanlightproducts.com

www.germanlightproducts.com

Contents

1	Format conventions.....	3
2	Safety.....	4
2.1	General safety information.....	4
2.2	Correct use.....	4
3	Transport and storage.....	5
4	Scope of delivery.....	6
5	Equipment description.....	7
6	Assembly and connection.....	8
6.1	Mount lighting system.....	8
6.2	Connect lighting system.....	8
6.3	Attach rain cover.....	9
6.4	Set up equipment.....	9
6.5	Connect base unit.....	10
7	Operation.....	11
7.1	Turn on equipment.....	11
7.2	Turn off equipment.....	11
8	Cleaning and maintenance.....	12
9	Technical Specs.....	13
10	Recycling/disposal/environmental protection.....	14
11	Contact.....	15

1 Format conventions

This manual contains recurring descriptive elements that reflect the function of certain information:



Warning

Indicates a hazard with a medium level of risk, that may result in severe injury or death if it is not avoided.



Attention

Risk of equipment damage.



Advice

Indicates a helpful note in the current context.

One or more **bolded** words indicate a term that can be found exactly the same on the product.

One or more *italicized* words indicates an index entry or an important technical term.

1. Instructions are numbered.
- ✓ As are results or outcomes of these actions.

2 Safety

2.1 General safety information



Important information

- Read documentation carefully
- Only use equipment as instructed in this document
- Observe notes and symbols on the product
- Keep documentation on hand for later reference
- Pass documentation on to the next user
- Keep available near the system at all times
- Observe documentation for additional components used as well



Danger from electrical voltage

- Only connect equipment to a grounded safety socket
- The corresponding fuse must be the correct size for the equipment
- Completely cut the power to the equipment before installation, cleaning, maintenance, or repairs
- Do not clean equipment under running water or by immersing in liquid



Proper handling

- Do not make any modifications to the equipment
- Do not drop equipment or expose it to severe mechanical pressure. The equipment can sustain heavy damage from the impact.
- Regularly check equipment for damage. If damaged, turn the equipment off and fully disconnect from the power supply. Contact customer service or retailer.



Maintenance and repair

- Do not repair equipment yourself. Contact customer service or retailer.



Hot surfaces

- Accessible equipment parts will heat up during operation. Keep children out of reach until the equipment has cooled off.
- Accessible equipment parts will heat up during operation.

2.2 Correct use

This equipment was developed for commercial use. Private use is prohibited.

It may only be operated indoors or outdoors.



Attention

Only operate equipment outdoors while using the rain cover included. The degree of protection specified can only be guaranteed with the rain cover. ([see "Technical Specs"](#))

The equipment is for the purpose of protecting large lighting systems from the impact of rain and other weather. The equipment may be used indoors to provide protection from rain effects. It may not be used for another purpose.

This equipment is not designed to be used by persons with limited physical, sensory, or mental abilities or insufficient experience and/or insufficient knowledge, unless supervised by a person responsible for their safety or have received instructions from them on how to use the equipment.

The manufacturer is not liable for damage that occurs as a result of improper use of the equipment.

3 Transport and storage



Attention

Do not drop equipment or expose it to severe mechanical pressure. The product can sustain damage from the impact.

Only store equipment in dry areas.

Do not lift equipment by moving parts.

Use appropriate packaging material or the packaging material provided for storage and transport.

To lift the equipment, grip it by the body with both hands.

4 Scope of delivery



Advice

Check scope of delivery for completeness after unpacking.
Inspect equipment for visible damage.



Quantity/components	Description
1 x Air Dome 850P base unit	
1 x rain cover	Protective cover for operating in the open.
1 x PowerCON cable	
1 x PowerCON adapter	
1 x dust filter	Filters air for the rain cover.

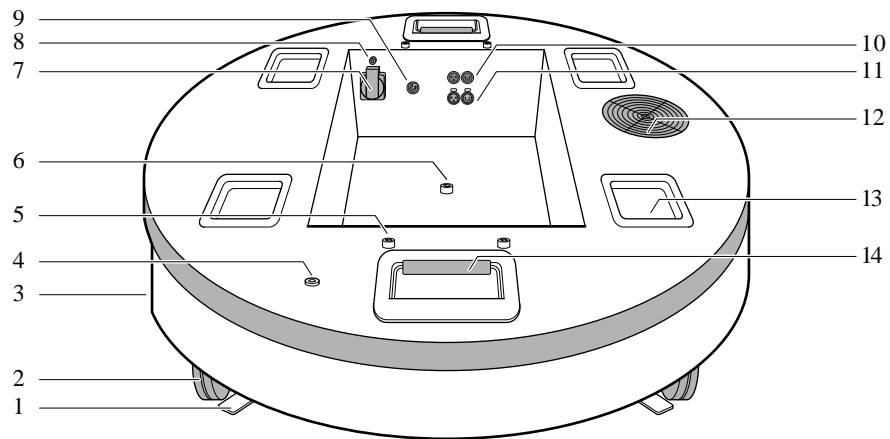


Advice

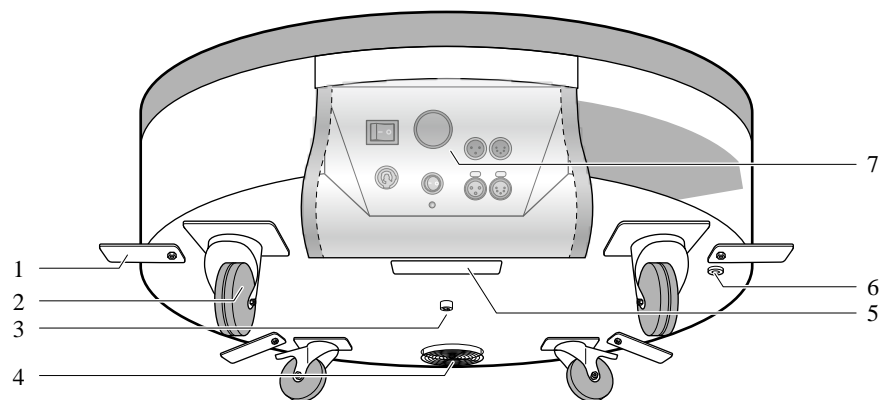
Order optional accessories directly through your specialty retailer. You can find a list online at www.germanlightproducts.com.

- "Air Dome 850 - Hanging Kit" suspension system

5 Equipment description



- | | | | |
|---|--|----|--|
| 1 | 4 x loops for ground anchors | 8 | Fuse 10A |
| 2 | 4 x transport rollers | 9 | output PowerCON |
| 3 | Base unit | 10 | DMX IN: DMX input (3-pin/5-pin) |
| 4 | Air pressure sensor opening - important: keep clear | 11 | DMX OUT: DMX output (3-pin/5-pin) |
| 5 | 4 x camlock | 12 | Fan cover - important: keep clear |
| 6 | M10 screw for installed equipment | 13 | 4 x stacking castor dish |
| 7 | Safety socket (AC) | 14 | 2 x handle |



- | | | | |
|---|-----------------------------------|---|--|
| 1 | 4 x loops for ground anchors | 5 | Label |
| 2 | 4 x transport rollers with brakes | 6 | Air pressure sensor opening - important: keep clear |
| 3 | M10 screw for installed equipment | 7 | Control panel |
| 4 | Dust filter | | |

6 Assembly and connection



Warning

Observe the suspension system operation manual for hanging assembly.

6.1 Mount lighting system



Warning

Observe lighting system operation manual.

Requirement

- The lighting system is compatible with the equipment. ([see chapter 9](#))

1. Unfasten nut from M10 screw.

Use a 17 mm wrench to do this, and an Allen to fix the screw in place.

2. Remove M10 screw from the base unit.
-

Advice



You will need the screw itself to mount the lighting system on the base unit. Keep the nut and washer for storage and transport.

3. Position camlocks so that they sit in the recess.
 4. For small lighting systems, remove the covers in the middle.
 5. Set the lighting system on the base unit as follows:
 - Thread for M10 screw is positioned in the center
 - Openings for the camlocks are above the camlocks on the base unit
 - Inlet for the PowerCON connection is located on the side of the base unit PowerCON outlet
 6. To mount the lighting system on the base unit, push the camlocks against the base unit from beneath and tighten.
 7. Set M10 screw into the thread from beneath and tighten.
 8. Use a safety cord to connect the lighting system and base unit at the loops designated for this.
- ✓ The lighting system is mounted on the base unit and can be connected.
-

6.2 Connect lighting system



Warning

Observe lighting system operation manual.

Requirement(s)

- The lighting system is mounted on the base unit. ([see chapter 6.1](#))
- Compatible DMX cables for the lighting system are present.

1. Connect lighting system to the base unit.

- Connection with PowerCON cable: Insert plug into the safety socket.
- Connection with PowerCON adapter: Insert connector at the **AC** outlet.

2. To establish signal link, connect lighting system and base unit with DMX cable. Insert DMX cables in **DMX OUT** and **DMX IN** to do this.

You can choose between a 5-pin (standardized) and 3-pin DMX connection depending on the lighting system.



Attention

Keep openings for fan and air pressure sensor clear!
 Make sure that the openings are not covered by cables or other objects.

- ✓ The lighting system is connected to the base unit.

6.3 Attach rain cover

Requirement

- The lighting system is mounted. [\[see chapter 6.1\]](#)
- The lighting system is connected to the base unit. [\[see chapter 6.2\]](#)

1. Pull the rain cover over the lighting system as follows:
 - The slot-shaped opening for the rain cover is located near the base unit’s connections. This makes it easier to access the connections later on.
 - The rain cover’s overlapping part covers the control panel.
 2. Attach rain cover to the outer edge of the base unit using the Velcro fastener.
 3. Close the rain cover’s slot-shaped opening with the Velcro fastener.
- ✓ You can now mount the device in your desired location and operate it.

6.4 Set up equipment

The equipment can be operated in a standing or suspended position. A suspension system is required for operation in a suspended position.



Advice

Observe the suspension system operation manual for hanging assembly.

Requirement(s)

- The lighting system is mounted. [\[see chapter 6.1\]](#)
- The lighting system is connected. [\[see chapter 6.2\]](#)
- The setup location has sufficient load-bearing capacity.

1. Set up base unit at desired location.



Attention

Make sure the equipment has sufficient ventilation.
 Keep the air pressure sensor opening clear.
 Make sure the control panel can be easily accessed.

2. Optional: fasten equipment to the ground with ground anchors.



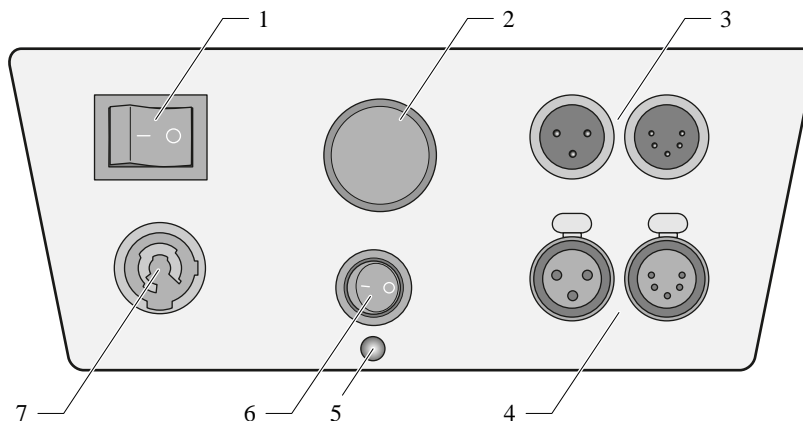
Advice

Get suitable ground anchors in specialty stores.

- ✓ The equipment is set up and can be connected.

6.5 Connect base unit

Control panel



- | | |
|---|---|
| 1 Light Source Switch : ON/OFF switch for lighting system | 5 ON/OFF service mode : Air pressure sensor display |
| 2 Fan Adjust : Fan controller (4 levels) | 6 Air pressure sensor switch |
| 3 DMX IN : DMX input (3-pin/5-pin) | 7 MAINS IN : PowerCON inlet |
| 4 DMX OUT : DMX output (3-pin/5-pin) | |

Connect equipment

Requirements

- The lighting system is mounted on the base unit. ([see chapter 6.1](#))
 - The lighting system is connected. ([see chapter 6.2](#))
1. To establish signal link, connect base unit and other devices or control with DMX cables. Insert DMX cables in **DMX IN** and **DMX OUT** to do this.
You can choose between a 5-pin (standardized) and 3-pin DMX connection depending on the lighting system.
 2. Insert PowerCON cable in the PowerCON inlet **MAINS IN** on the device.
 3. Insert PowerCON cable plug into the socket.
- ✓ The device is now connected and can be operated.

7 Operation

7.1 Turn on equipment

Requirements

- The equipment is fully mounted and connected.
- Fan opening and air pressure sensor are not covered by other objects.

1. To turn on the fan, set the **Fan Adjust** fan controller to one of the fan levels **1-4**.
The rain cover will fill with air.
2. To keep the air pressure in the closed cover at a constant level, use the switch to turn on the air pressure sensor.



Attention

The cover can collapse if the air pressure sensor is not active. When the Air Dome is switched on, the air pressure sensor should be switched on as well.

The display **ON/OFF Service Mode** is blinking.

3. To establish power supply to the lighting system, turn on the **Light Source Switch**.
- ✓ The equipment and the installed lighting system are in operation.



Advice

If the fan fails during operation, the power supply to the lighting system will be interrupted.

7.2 Turn off equipment

1. Turn off the lighting system with the **Light source switch**.
2. Wait a few minutes until the lighting system has cooled off.



Attention

The lighting system can become very hot during operation. The cover can become damaged if it comes into contact with the rain cover.

3. Turn off air pressure sensor.
The display **ON/OFF service mode** is no longer blinking.
 4. To turn off the fan, turn the **Adjust fan** fan controller to **0**.
- ✓ The equipment is switched off.

8 Cleaning and maintenance

The Air Dome is a low-maintenance device. However, the surfaces will need to be cleaned at regular intervals depending on the operating environment.



Warning

Pull out the power plug before cleaning.

Observe local regulations regarding worker health and safety.

Wait until the equipment has cooled off after earlier operation.

Do not repair equipment yourself. Contact customer service or retailer. ([see chapter 11](#))

1. Clean surfaces with a soft, dry, and clean cloth.



Attention

Do not use abrasive cleaning agents, alcohol, or other chemical substances.

2. Vacuum or sweep away dust buildup on the openings for fan and air pressure sensor.



Attention

When cleaning with high air pressure, the vents located on the top must be blocked in order to protect them from winding up. For example, a screwdriver can be used to do this.

3. Check the dust filter at regular intervals and replace it if necessary.
- ✓ Cleaning is finished.

9 Technical Specs

Version	Air Dome 850P
Packaging dimensions	870 x 870 x 870 mm 34.3 x 34.3 x 34.3 inch
Base unit dimensions	850 x 850 x 290 mm 33.5 x 33.5 x 11.42 inch
Total dimensions	850 x 850 x 1,650 mm 33.5 x 33.5 x 65.0 inch
Weight (with packaging)	29.5 kg 65.0 lbs
Weight (net)	25.3 kg 55.78 lbs
Supply voltage	110-240 VAC, 50Hz
Power consumption	81 W, 0.35 A
DMX configuration	5/3 pin XLR: (+) = pin 3; (-) = pin 2; ground = pin 1
Base unit IP class	IP20
IP class with rain cover	IP44
Compatible systems	Systems with following features: <ul style="list-style-type: none"> ■ Maximum 800 mm activity radius ■ Maximum 1000 mm height

10 Recycling/disposal/environmental protection



Recycling

Dispose of packaging material in an environmentally responsible way according to local disposal regulations in effect.

Dispose of remaining operating materials according to local or company disposal regulations.

After decommissioning and dismantling the system or individual components, these must be disposed of in coordination with the manufacturer according to local regulations in effect.

Do not throw batteries away with household garbage. Deliver batteries to the collection points provided for such.



Disposal of electronic devices

This device is marked according to the European Directive 2012/19/EU regarding waste electrical and electronic equipment.



Electrical and electronic devices may not be disposed of with household garbage. Their components must be recycled and disposed of separately.

Return a device at the end of its service life to the manufacturer, the place it was purchased, or a public collection point equipped for such, free of charge.

11 Contact

Manufacturer

GLP German Light Products, Inc.
1145 Arroyo Ave., Unit A
San Fernando, CA 91340

Support

Online	www.germanlightproducts.com To use the online support, it is required to go through a one-time registration process. Then log into the online support using your registered user account.
E-mail	support@germanlightproducts.com
Phone	+1 818 767 8899



GLP German Light Products, Inc.

1145 Arroyo Ave., Unit A

San Fernando, CA 91340

Phone: +1 818 767 8899

E-mail: Support@germanlightproducts.com

Website: www.germanlightproducts.com