

1

2

3

4

5

6

7

8

A

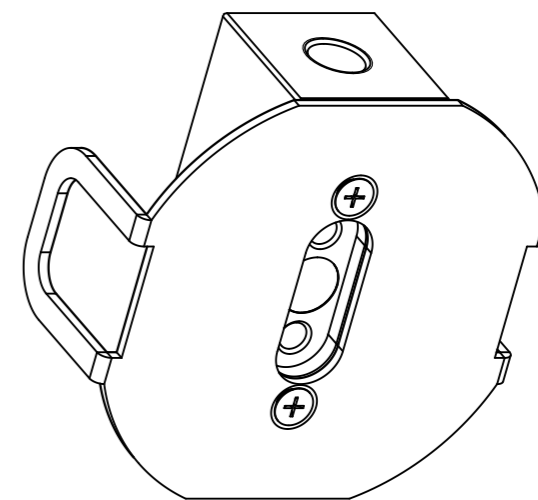
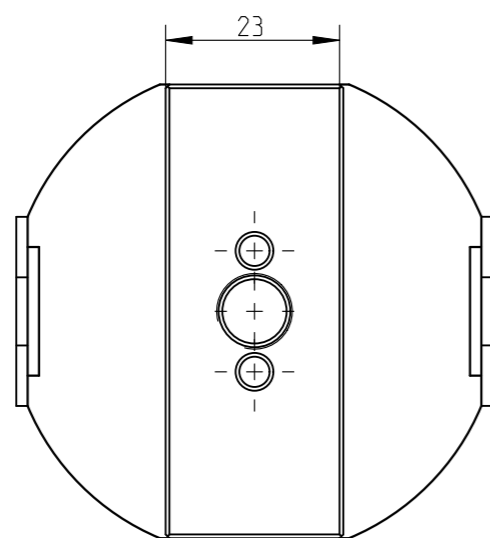
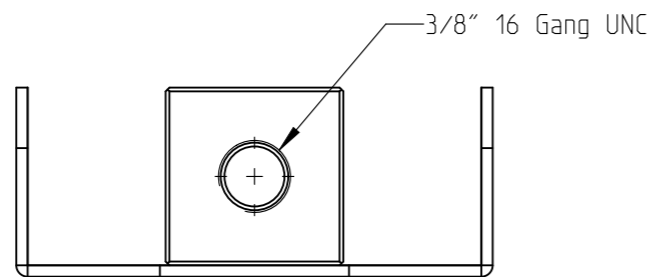
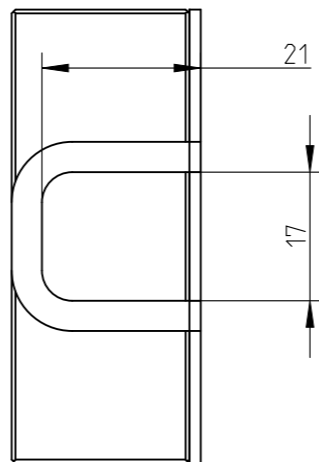
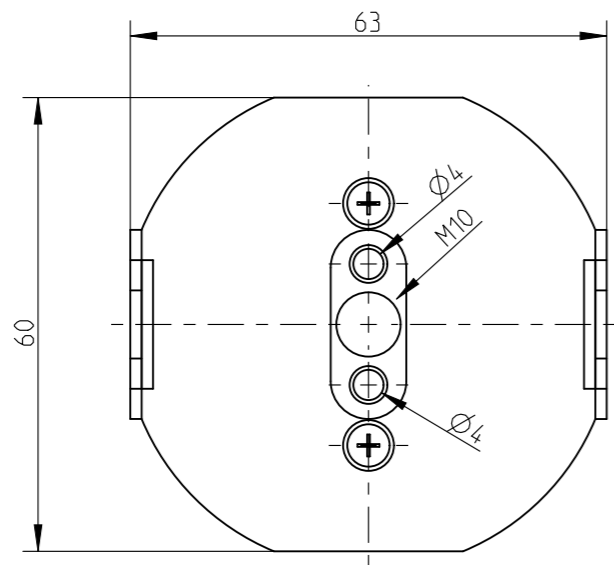
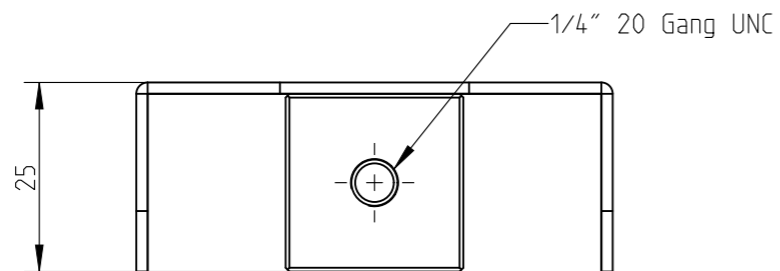
B


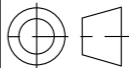
C

D

E

F



NEW ISSUE	OLD ISSUE	COMMENTS / CHANGE DESCRIPTION	DATE
-	-	-	-
-	-	-	-
-	-	-	-
UNLESS OTHERWISE SPECIFIED:		DRW: MS	ISSUE:
Dimensional tolerances +6 = ± 0.05 6-30 = ± 0.1 30-120 = ± 0.15 >120 = ± 0.2 ANGLES = ± 0.5°		STATUS: SEE DDM/WATERMARK	1
PROPRIETARY NOTICE:		DATE: 18-Jan-2021	 German Light Prodcets GmbH Industriestr. 2 76307 Karlsbad - Germany +49 (0)7248/92719-0 www.glp.de
All information herein is the sole and exclusive property of GLP, and may not be used, disclosed or reproduced in any manner without the advance written consent of GLP.		SIZE A3	
THIRD ANGLE PROJ.		DESCRIPTION: CL-1_UFO	MATERIAL:
		All dimensions are in millimeters unless noted otherwise	
DO NOT SCALE		SCALE 1:1	FILENAME: GLP-21035
		SHEET 1 OF 1	